



Specification grade area lights available in IES Type II distributions. For use in parking lots, roadways, pathways and general area lighting. Mounts to 4" square steel poles at 20-35'. 5 Year Warranty.

Color: Bronze

Weight: 32.0 lbs

<b>Project:</b>	<b>Type:</b>
<b>Prepared By:</b>	<b>Date:</b>

Driver Info		LED Info	
Type:	Constant Current	Watts:	50W
120V:	0.46A	Color Temp:	5000K
208V:	0.27A	Color Accuracy:	71 CRI
240V:	0.23A	L70 Lifespan:	100000
277V:	0.20A	Lumens:	7070
Input Watts:	56W	Efficacy:	126 LPW
Efficiency:	89%		

## Technical Specifications

### Listings

#### UL Listing:

Suitable for wet locations as a downlight.

#### DLC Listed:

This product is on the Design Lights Consortium (DLC) Qualified Products List and is eligible for rebates from DLC Member Utilities.

DLC Product Code: P0000178S

#### IESNA LM-79 & IESNA LM-80 Testing:

RAB LED fixtures have been tested by an independent laboratory in accordance with IESNA LM-79 and 80, and have received the Department of Energy "Lighting Facts" label.

#### Dark Sky Approved:

The International Dark Sky Association has approved this product as a full cutoff, fully shielded luminaire.

### LED Characteristics

#### Lifespan:

100,000-hour LED lifespan based on IES LM-80 results and TM-21 calculations.

#### LEDs:

Multi-chip, high-output, long-life LEDs

#### Color Consistency:

7-step MacAdam Ellipse binning to achieve consistent fixture-to-fixture color.

#### Color Stability:

LED color temperature is warrantied to shift no more than 200K in CCT over a 5 year period.

#### Color Uniformity:

RAB's range of CCT (Correlated Color Temperature) follows the guidelines of the American National Standard for Specifications for the Chromaticity of Solid State Lighting (SSL) Products, ANSI C78.377-2017.

### Construction

#### IES Classification:

The Type II distribution is ideal for wide walkways, on ramps and entrance roadways, bike paths and other long and narrow lighting applications. This type is meant for lighting larger areas and usually is located near the roadside. This type of lighting is commonly found on smaller side streets or jogging paths.

#### Effective Projected Area:

EPA = 0.75

#### IP Rating:

Ingress Protection rating of IP66 for dust and water

#### Ambient Temperature:

Suitable for use in 40°C (104°F) ambient temperatures.

#### Cold Weather Starting:

Minimum starting temperature is -40°C (-40°F)

#### Thermal Management:

Superior thermal management design with external Air-Flow fins provides maximum operational life, even in high ambient temperature environments.

#### Housing:

Die cast aluminum housing, lens frame and mounting arm.

#### Mounting:

Heavy-duty mounting arm with "O" ring seal & stainless steel screws.

#### Reflector:

Specular vacuum-metallized polycarbonate

### Gaskets:

High temperature silicone gaskets

### Finish:

Formulated for high-durability and long lasting color.

### Green Technology:

Mercury and UV free. RoHS compliant components. Polyester powder coat finish formulated without the use of VOC or toxic heavy metals.

### Electrical

#### Driver:

Constant Current, Class 2, 1400mA, 100-277V, 50-60Hz, 0.8A, Power Factor 99%

#### Surge Protection:

6kV surge suppression protection tested in accordance with IEEE/ANSI C62.41.2.

#### THD:

6.1% at 120V, 9.4% at 277V

#### Power Factor:

99.6% at 120V, 96% at 277V

### Other

#### California Title 24:

See ALED2T50/PC, ALED2T50/PCS or ALED2T50/PCT for a 2013 California Title 24 compliant model.

## Technical Specifications (continued)

### Other

#### Patents:

The ALED™ design is protected by patents pending in the U.S., Canada, China, Taiwan and Mexico.

#### Warranty:

RAB warrants that our LED products will be free from defects in materials and workmanship for a period of five (5) years from the date of delivery to the end user, including coverage of light output, color stability, driver performance and fixture finish.

#### Equivalency:

Replaces 200W Metal Halide.

#### FTC Country of Origin:

This product was assembled in the USA by RAB using imported components.

#### Buy American Act Compliance:

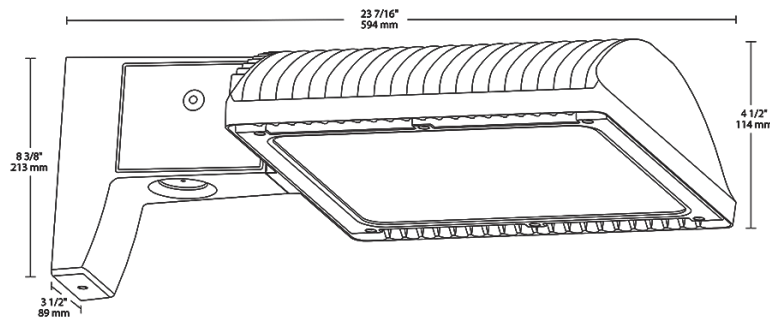
This product complies with the Buy American Act.

#### Optical

#### BUG Rating:

B1 U0 G1

## Dimensions



## Features

- 66% energy cost savings vs. HID
- 100,000-hour LED lifespan
- Type II distribution
- 5-year warranty

## Ordering Matrix

Family	Distribution	Wattage	Mounting	Color Temp	Finish	Voltage	Dimming	Control Options
<b>ALED</b>	<b>2T</b>	<b>50</b>						
	2T = Type II	50 =	Blank =	Blank =	Blank =	Blank = 120-277V	Blank =	Blank = No Option
	3T = Type III	50W	Arm	5000K (Cool)	Bronze	/480 = 480V (not available for 150W)	Standard	/PCS = 120V Swivel Photocell
	4T = Type IV	78 =	SF =	N = 4000K (Neutral)	RG =		/D10 = 0-10V Dimming	/PCS2 = 277V Swivel Photocell
		78W	Slipfitter	Y = 3000K (Warm)	Roadway Gray		/BL = Bi-Level	/PCT = 120-277V Twistlock Photocell (not available for Slipfitter mounting)
		105 =			W = White			/PCT4 = 480V Twistlock Photocell (not available for Slipfitter mounting)
		105W						/WS2 = Multi-Level Motion Sensor(50W, 78W and 105W only)
		125 =						/WS4 = Multi-Level Motion Sensor(125W and 150W only)
		125W						/LC = Lightcloud® Control
		150 =						
		150W						